

Improved • Performance  
Style • Perfection

# BlueWave





# UNIQUE QUALITY

German grade copper  
used in a specially designed  
tank

Unique Anti-microbial  
characteristics

Copper alloy surfaces  
have intrinsic properties to  
destroy a wide range of  
micro-organisms

Best quality materials  
to ensure the highest  
standards of boiling  
water dispensing

# side panels

## FLEXIBILITY

- ✓ Unlimited colour Options
- ✓ Perfect for corporate/custom branding
- ✓ Body/cover can also be colour-coded
- ✓ Elegant design





Efficient  
Easy  
Effortless  
EBS

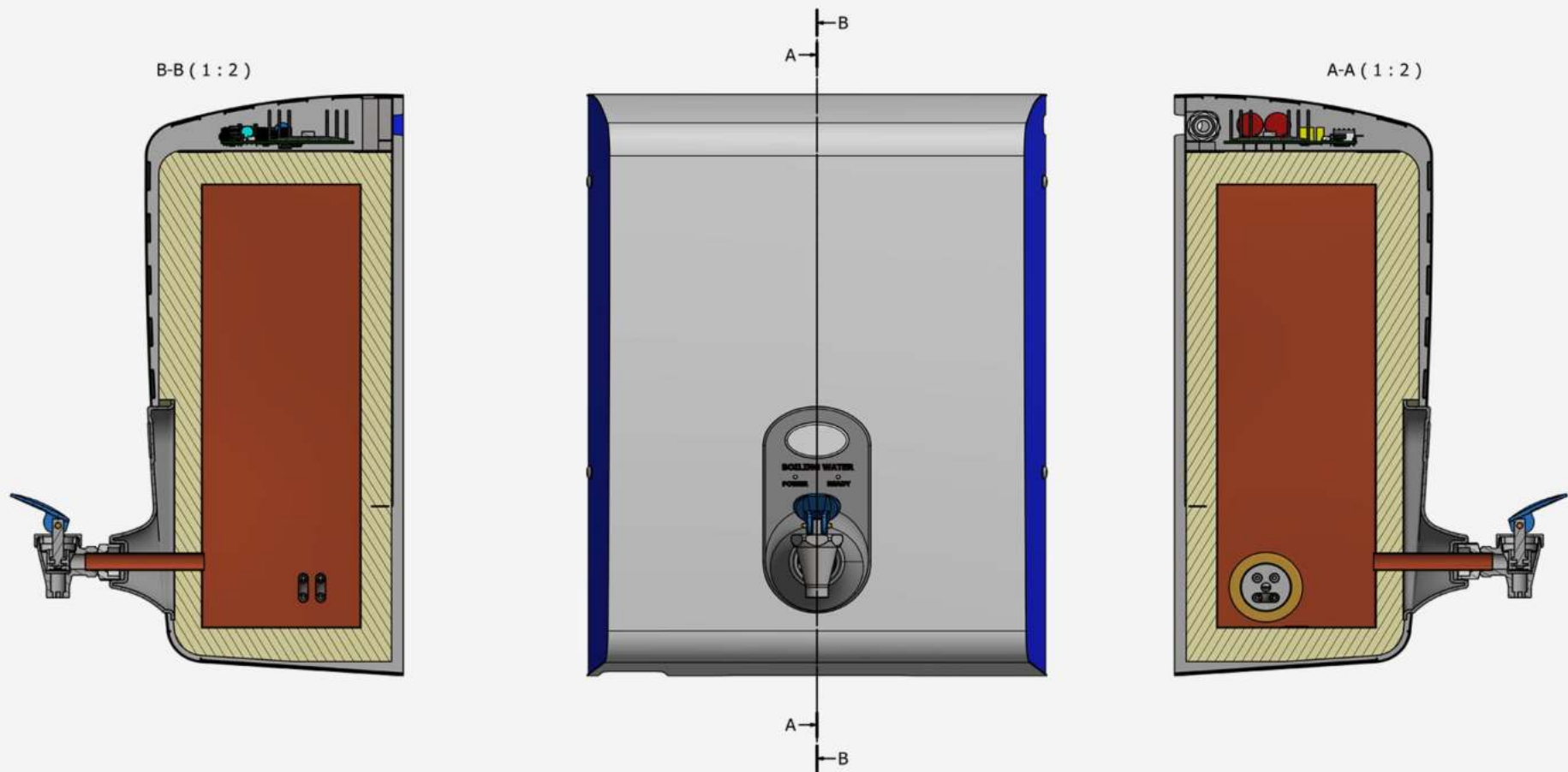




**“The Energy Efficient E-Boil product is a fully South African designed and manufactured product. Our products has been regarded as the “Best in Class” Automated Boiling Water Dispensers in South Africa.”**

- Unique Bluewave Technology - takes electricity saving to the next level
- Standard blue side panels
- Easily located on/off switch supplied as standard
- Designer developed to enhance look and feel
- Superior control system suited for all conditions
- State of the art digital electronic control unit
- Energy Management AEMS Technology
- Sleek and practical design
- Extra thick, eco firendly insulation

*Optional extras:  
Stainless Steel cover  
Programmable 7 Day timer  
Custom colour coding  
Corporate branding  
Filtration system  
Drip tray*



Nominal Performance	Nickel	Copper	Gold	Bronze	Green	Diamond	Titanium	Platinum
Storage Volume	2.5L	5L	7.5L	10L	15L	20L	25L	40L
Initial Draw-Off(200ml)	18	38	54	66	100	125	145	200
Approx recovery cups/min	2.3	2.3	2.3	2.3	2	2	2	1.9
Element Power	2 kW	2 kW	2 kW	2 kW	2.5 kW	2.5 kW	2.5 kW	3 kW
Supply Voltage	220-240V	220-240V	220-240V	220-240V	220-240V	220-240V	220-240V	220-240V
Supply Pressure (min/max)	50-1000 kPa	50-1000 kPa	50-1000 kPa	50-1000 kPa	50-1000 kPa	50-1000 kPa	50-1000 kPa	50-1000 kPa
Enclosure (w/h/d)	375x500x215	375x500x215	375x500x215	375x500x215	460x610x215	460x610x215	460x610x215	515x607x350

**The E-Boil BlueWave fully complies to SANS 60335-1:201 Ed 3, IEC 60335-1:2010 Ed 5  
+ SANS 60335-2-75:2013 Ed 3, IEC 60335-2-75:2012 Ed 3**



## **E-Boil Systems**

CPT: 19 Comprop Square, Asla Park, Strand  
T: 021 850 8770 F: 086 550 2271 E: [info@eboilsystems.com](mailto:info@eboilsystems.com)

JHB: 95 On Main, Farrarmere, Benoni  
T: 011 425 0859 F: 086 550 2271 E: [ebs.jhb@eboilsystems.com](mailto:ebs.jhb@eboilsystems.com)

[www.eboilsystems.com](http://www.eboilsystems.com)

